

# STO200/500



## PART NUMBER

Part Number	Model Number	System	Weight g (lb)
5123246000	STO200	TAC I/NET	210 (0.46)
5141104010	STO500	Andover Continuum	210 (0.46)

## SPECIFICATIONS

Sensor Element STO200 .NTC10k $\Omega$  @ 25°C (77°F)  
 Sensor Element STO500 NTC10k $\Omega$  @ 25°C (77°F)  
 Time Constant . . . . . 18 minutes approx

### Materials

Cover . . . . . polyamide plastic  
 Connection box . . . . . polyamide plastic  
 Enclosure rating . . . . . IP 55  
 Dimensions . . . . . see figure  
 Accuracy . . . . . see table

### Temperatures

Ambient . . . . . min. -40 °C (-40 °F)  
 max. 90 °C (194 °F)  
 Operating . . . . . min. -40 °C (-40 °F)  
 max. 90 °C (194 °F)

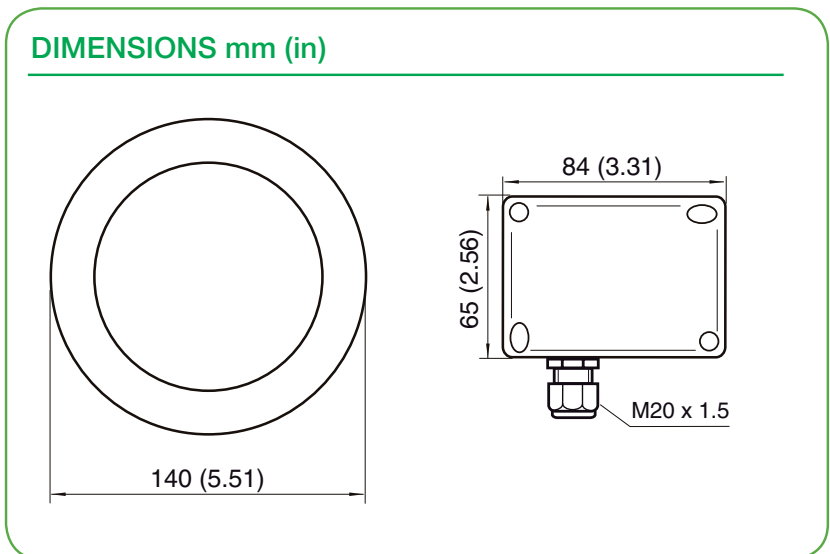
## ACCURACY

At Temperature	Accuracy for STO200	Accuracy for STO500
-25°C/-13°F	$\pm 0.5^{\circ}\text{C}/\pm 0.9^{\circ}\text{F}$	$\pm 0.5^{\circ}\text{C}/\pm 0.9^{\circ}\text{F}$
0°C/32°F	$\pm 0.2^{\circ}\text{C}/\pm 0.4^{\circ}\text{F}$	$\pm 0.2^{\circ}\text{C}/\pm 0.4^{\circ}\text{F}$
25°C/77°F	$\pm 0.2^{\circ}\text{C}/\pm 0.4^{\circ}\text{F}$	$\pm 0.2^{\circ}\text{C}/\pm 0.4^{\circ}\text{F}$
50°C/122°F	$\pm 0.2^{\circ}\text{C}/\pm 0.4^{\circ}\text{F}$	$\pm 0.2^{\circ}\text{C}/\pm 0.4^{\circ}\text{F}$

## Outdoor Temperature Sensors

The STO200 and STO500 are both designed to be mounted outside, typically on a north facing wall. The dome shaped cover provides a shield against the effects of wind, rain and snow. Access to the wiring terminals is possible after removing the dome cover.

Both the STO200 and the STO500 are complete with a 20mm cable fitting



## MOUNTING

Remove the two cover screws. Select a location on an outside wall away from any warm air outlets such as windows or extract ducts. Avoid fixing to chimney stacks or other artificially warm surfaces.

Unzoned Buildings – locate on an outside wall exposed to prevailing winds and in continuous shade, preferably near the top of the building unsheltered by surrounding buildings.

Zoned buildings – for aspect zoning, locate the sensor so that it faces in the same general direction as the window area of the zone being controlled. For horizontal zoning locate as near the top of the zone as possible.

Access for wiring is via M20 conduit connections and the terminals are accessed via the removable cover (two screws). The terminals are not polarised. See wiring diagram.

